

GAS TREATMENT COLUMN

Treated Outlets

M
A
X

G
A
S

F
L
O
W
R
A
T
E

5
I
/
M
N

Demisters

Condenser

Separators

Process
Connections



Operating Pressures
(based on assembly)

1 element	60 bar à 180°C
2 elements	60 bar à 180°C
3 elements	15 bar à 180°C
Glass bowl	3 bar max.
Max temperature	180°C
Material	316L Stainless Steel
O-ring material	FPM (others by request)



V
E
R
T
I
C
A
L

M
O
U
N
T
I
N
G



Nordaasdalen 25, 5235 Raadal, Norway

Contact us:

Name:
Per Arve Eriksen
Jan Arle Netland

Phone:
+47 95888526
+47 92831990

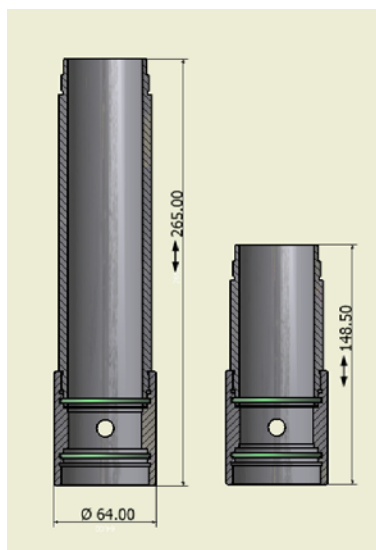
Email:
per@fiskal.no
jan@fiskal.no

STAINLESS STEEL SEPARATOR 1 S 1 T

This column element is designed to be used by itself or with other function elements, such as a condenser and/ or a demister, mounted above. The separator needs to be used with specific accessories. It is a neutral element with a height of 10 1/2" (265 mm). Gas enters in by the bottom, and based on the dimensions of the column and the flow direction the liquid and vapor will separate. The bottom part can be purged of liquid and particulate matter by a drain or returned to the process stream.

TECHNICAL SPECIFICATIONS:

	1S1T N	1S1T Q
Weight	1,3 Kg	2,1 Kg
Internal Volume	258 cc	460 cc
Connections	1/4" NPTF	



NOMENCLATURE

Outlets (see drawings above)

- BS1TH N-025 (1) Filtering cap (filter element to be defined)
- BS1TH SEC (2) G/ G5/ HB/ QP Membrane separator cap
- BS1TH C (3) Top cap

Separator (see drawing to right)

- 1S1T Q (4) Stainless steel chamber GM
- 1S1T N (5) Stainless steel chamber PM



Connections (see drawings below)

O-RING SEAL KITS:

- PJBS1TH C
- PJBS1TH SEC
- PJBS1TH N
- PJBS1TN
- PJBS1TQ
- PJBS1T GL2

- BS1TBB PN40 DN20 (6) Process connection flange (various sizes)
- BS1T GL2 (7) Glass bowl 3 bar max
- CVSN12 (8) Exit chamber 1/2 NPTF
- BS2TB (9) Bottom cap 1/2 NPTF

Accessories:

- COLFIX Mounting collar



Norddaalsdalen 25, 5235 Raadal, Norway
 Contact us: Name: Per Arne Eriksen Phone: +47 95888526 Email: per@fiskal.no
 Jan Arle Netland +47 92831990 jan@fiskal.no

Fiche N° 2315
 REV 00 Date 19/04/2010

STAINLESS STEEL CONDENSER 1 S 1 TC DBEV

This column element is designed to be used as a stand-alone piece of equipment or with other function elements, such as a demister above and/or a separator below. The sample cooler requires specific accessories. The refrigerant can be a gas (using a vortex tube – see drawing 2090), with cooling water, or any other fluid compatible with 316L stainless steel.

TECHNICAL SPECIFICATIONS:

Weight 1,8 Kg
Internal Volume 95 cc

HEAT EXCHANGER

Surface area 475 cm²

CONNECTIONS

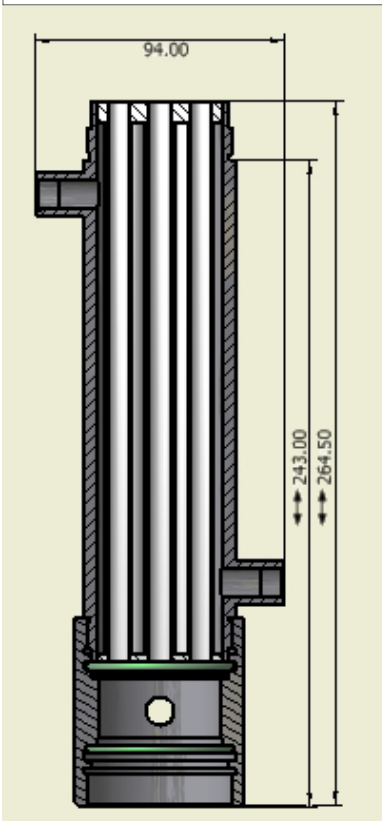
1/4 NPTF

APPLICATIONS

- ⇒ Gas cooling
- ⇒ Gas heating
- ⇒ Liquid cooling
- ⇒ Liquid heating

O-RING SEAL KITS:

PJBS1TH C
PJBS1TH SEC
PJS1TCD BEV
PJBS1TN GL2



NOMENCLATURE

Outlets (see drawings above)

BS1TH C (1) Top cap
BS1TH SEC (2) G/ G5/ HB/ QP Separator cap

Connections (see drawings below)

BS1TBB PN40 DN20 (3) Process connection flange (various sizes)
BS1T GL2 (4) Glass bowl 3 bar max.
CVSN12 (5) Inlet chamber 1/2 NPTF
BS2TB (6) Bottom plug 1/2 NPTF

Accessories:

Vortex VTX2 (see sheet # 2090)
Mounting collar COLFIX
Thermometer 1S1T-THER 060



STAINLESS STEEL DEMISTER 1 S 1 TD

This column element is designed to be used as a stand-alone piece of equipment or with other column elements such as a condenser and/or a separator, both mounted below. The demister requires specific accessories. The goal of this element is to eliminate 80% to 90% of the aerosol phase as well as a large part of the particulate matter present in the gas. The liquid phase collects and descends towards the lower stages, entraining the particulates trapped on the lower levels of the glass beads.

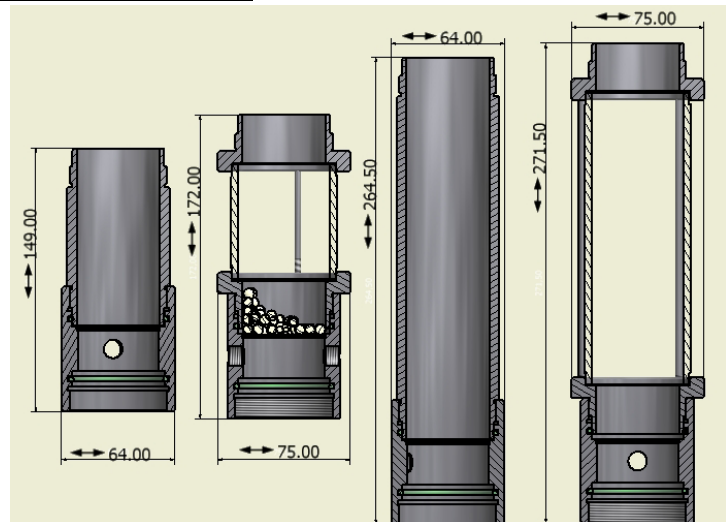
	1S1TD N	1S1TD NGL2	1S1TD Q	1S1TD QGL
Internal Volume	72 CC	80 CC	180 CC	190 CC
Weight	1.3 Kg	1.45 Kg	2.4 Kg	2.5 Kg

ACCESSORIES

Mounting Collar COLFIX
Thermometer 1S1T-THERMO 060

O-RING SEAL KITS:

PJBS1TH C
PJBS1TH SEC
PJS1TD N
PJS1TD NGL2
PJS1TD Q
PJS1TD QGL
PJBS1T GL2



NOMENCLATURE

Outlets

BS1TH SEC (1) G/ G5/ HB/ QP Membrane separator cap

BS1TH C (2) Top cap

Demister

1S1TD N (3) Stainless steel chamber PM
1S1TD NGL2 (4) Glass chamber PM 3 bar max
1S1TD Q (5) Stainless steel chamber GM
1S1TD QGL (6) Glass chamber GM 3 bar max

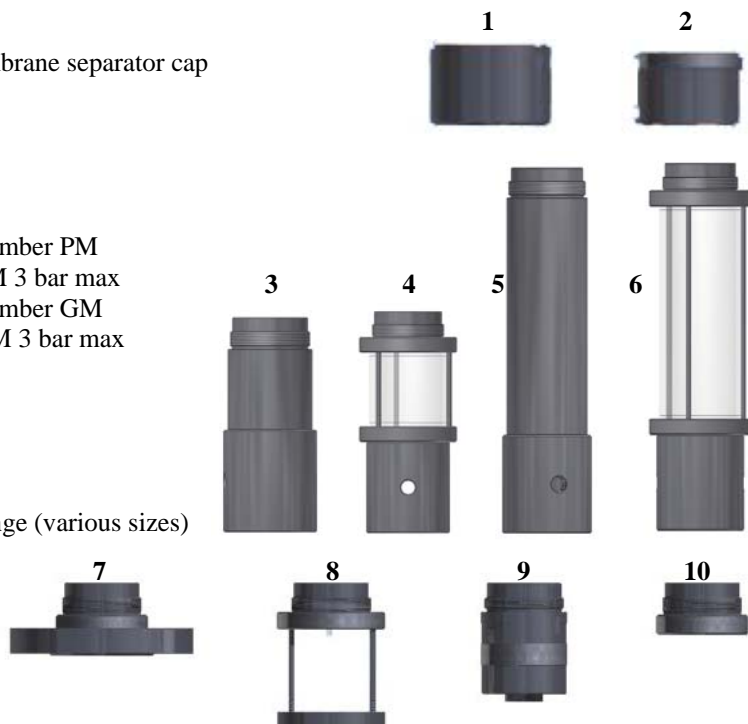
Connections

BS1TB PN20 DN40 (7) Process flange (various sizes)

BS1T GL2 (8) Glass chamber
3 bar max

CVSN12 (9) Exit chamber
1/2 NPTF

BS2TB (10) Bottom plug



Nordaaasdalen 25, 5235 Raadal, Norway
Contact us:

Name:
Per Arve Eriksen
Jan Arle Netland

Phone:
+47 95888526
+47 92831990

Email:
per@fiskal.no
jan@fiskal.no

Fiche N° 2315
REV 00 Date 19/04/2010