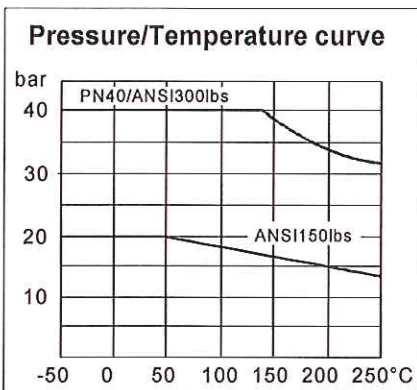


PASVE® DUAL is mounting and service valve for two pH sensors of diameter 12 mm. It can be used with practically all pH sensors in this size category. **PASVE® DUAL** allows the cleaning and calibration of pH sensors without stopping the process. When required, this can be done automatically. To protect the sensor in abrasive processes, it can be turned to the measuring position only for the duration of the actual measurement. **PASVE® DUAL** is available in a manually operated type or equipped with a pneumatic or electric actuator.

TECHNICAL SPECIFICATIONS

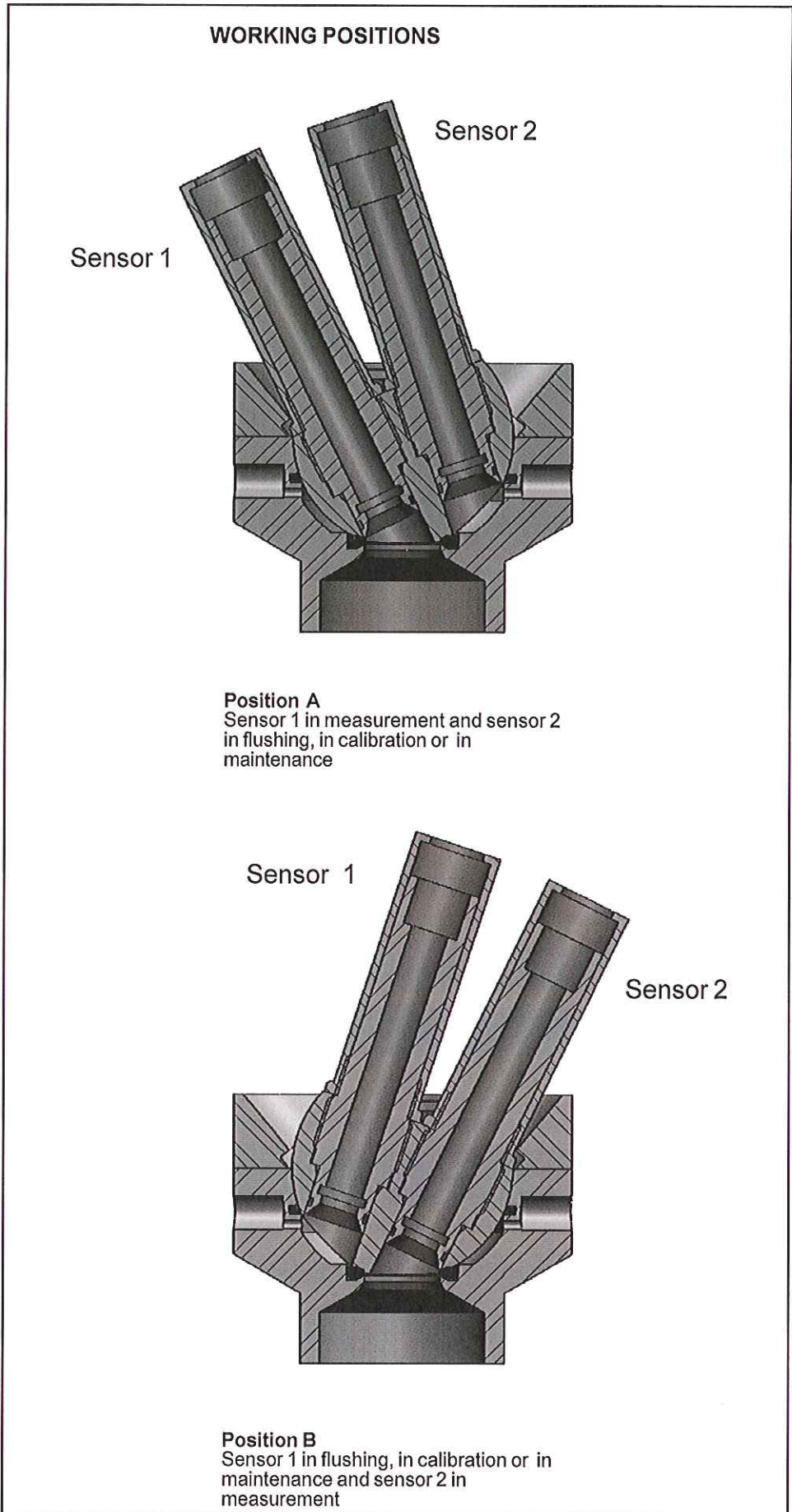
Applicable pH sensors
Refer to the Selection Table.

Max. operating pressure/ temperature
40 bar, 250 °C, (see the appended table). Min. operating temp. -50°C. Sensor-specific limitations should also be taken into account in applications.



Materials
Wetted parts: AISI316L, AISI904L, Titanium, Hastelloy®C276, Duplex, 254 SMO®.
Seals: PTFE, PTFE with carbon and graphite filling or PTFE 50%+AISI316 50% mixture

Weight
PASVE DUAL C 4,7 kg
PASVE DUAL B and P 4,8 kg
PASVE DUAL F 8,9 kg
 Actuator 5,5 kg

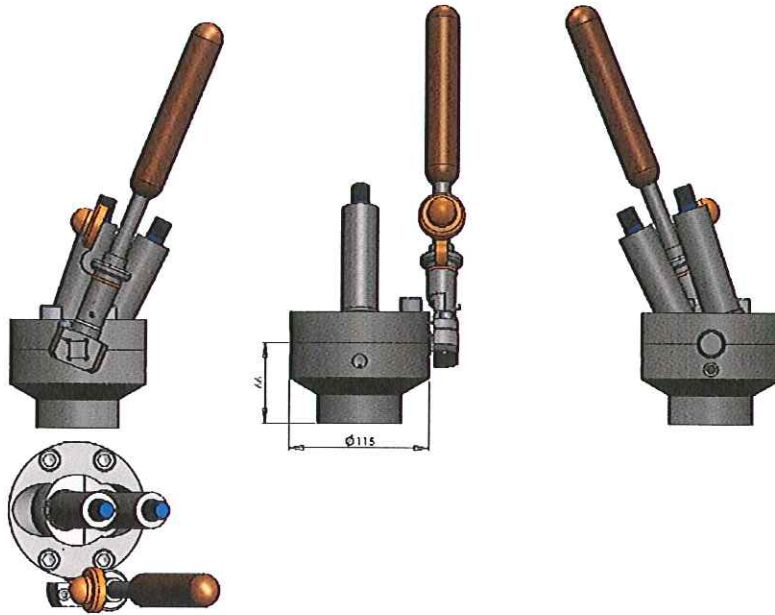


We reserve the right for technical modifications without prior notice.

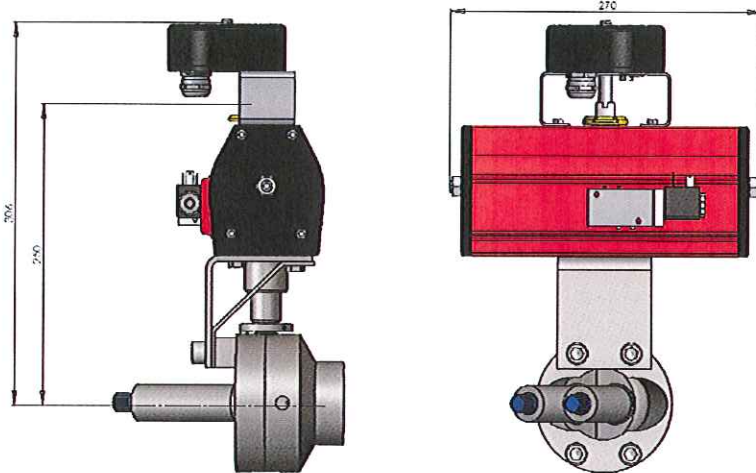
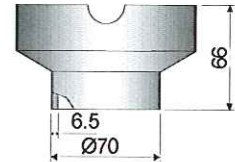
Pasve® is the registered trademark of Satron Instruments Inc.
 Hastelloy® is the registered trademark of Haynes International.
 254 SMO® is the registered trademark of Avesta Polaris AB.
 Teflon® is the registered trademark of E.I. du Pont de Nemours & Co.



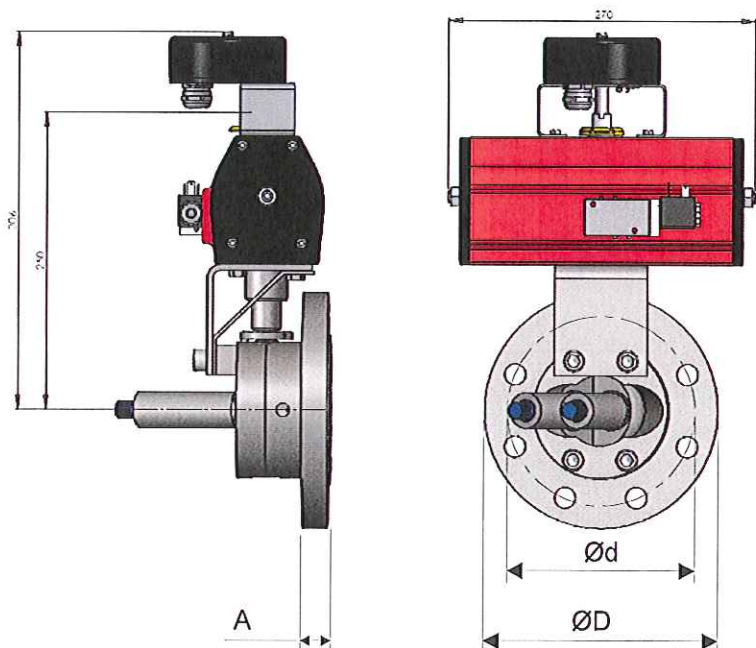
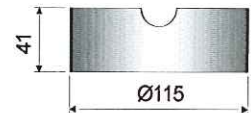
Dimensions (in mm)



PASVE DUAL P
(Shape the body to be suitable to the pipe, welded)



PASVE DUAL C
(Welded on container or horizontal pipe)

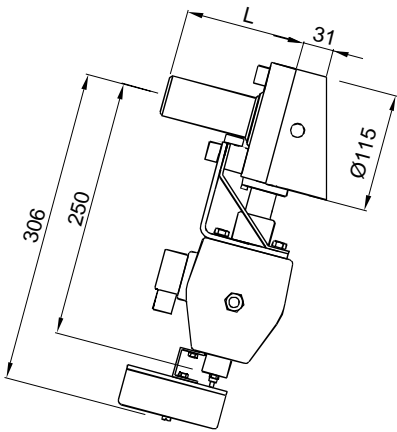


PASVE DUAL F
(Flange type)

PASVE DUAL F

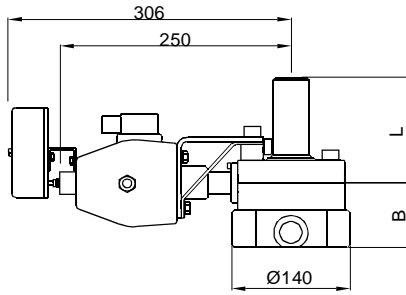
Flange (a)		ØD	Ød	A
Code	Type			
A	ANSI 3" 150 lbs	191	152.4	22
B	ANSI 3" 300 lbs	210	168.3	27
H	ANSI 4" 150 lbs	229	190.5	26
G	ANSI 4" 300 lbs	254	200	29
D	DN80 PN40	200	160	22
J	DN100 PN10/16	220	180	22
C	DN100 PN40	235	190	26
E	JIS10K 80	185	150	20
F	JIS40K 80	210	170	30

PASVE DUAL B
(Welded on container or vertical pipe, body 15°)

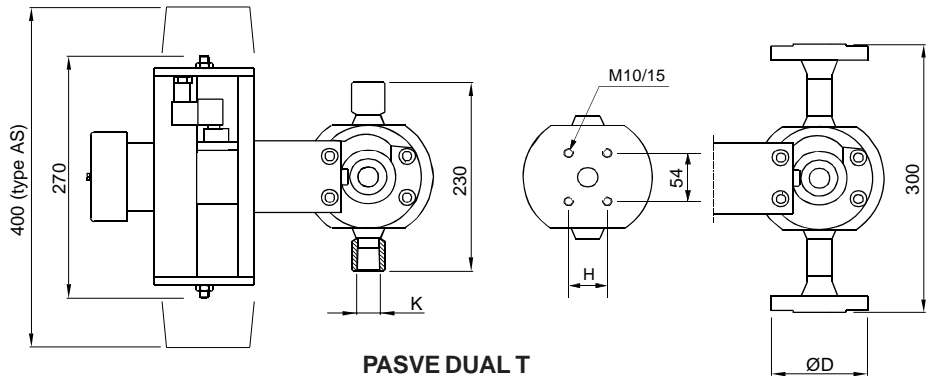
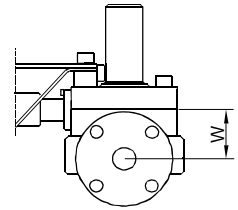


L depends on the sensor type

PASVE DUAL T
(Flow-through, threaded connection)



PASVE DUAL D
(Flow through, flange connection)



PASVE DUAL D

FLANGE		W	ØD	H
Code	Type			
H	ANSI 1" 150 lbs	55	108	48
J	ANSI 1" 300 lbs	55	124	48
U	ANSI 2" 150 lbs	68	153	76
V	ANSI 2" 300 lbs	68	165	76
G	DN25 PN40	55	115	48
T	DN50 PN40	68	165	76

PASVE DUAL T

THREAD		B	H
Code	Type (dim.K)		
2	1" - NPT	77	48
4	1.5" - NPT	92	64
5	2" - NPT	104	76

Dimensions (in mm)

Surface temperature

Ambient temperature °C	Temperature class
70	T6
85	T5
120	T4

European Directive Information

ATEX directive (94/9/EC)
Satron Instruments Inc. complies with the ATEX directive.

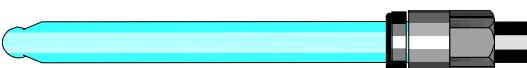
European Pressure Equipment Directive (PED) (97/23/EC)
- Sound Engineering Practice

European Certification:



Sensor connection

Code	Sensor
A	Standard sensor connection PG13.5 / Ø12 / length 120 mm



Selection Table																				
PASVE DUAL																				
Mounting type										Wetted parts (C, B and P)										
C	On container or horizontal pipe, welded									Code	Material									
B	On container or vertical pipe, body 15°, welded									2	AISI316L (EN 1.4404) (std.)									
P	Shape the body to be suitable to the pipe, welded									3	Hastelloy® C276 (EN 2.4819)									
F	On flange									4	AISI904L (EN 1.4539)									
T	Flow-through, threaded connection									6	Titanium Ti-2 (EN 3.7035)									
D	Flow-through, flange connection									8	Duplex (EN 1.4462)									
Process connection type, specified for mounting type F										K	254 SMO®									
Flanges					Flanges					Wetted parts										
Code	Type				Code	Type				Code	Material									
T	DN50 PN40 (only manual using)				H	ANSI 4"/150 lbs				2	AISI316L (EN 1.4404)									
D	DN80 PN40				G	ANSI 4"/300 lbs				3	Hastelloy® C276 (EN 2.4819)									
J	DN100 PN10/16				E	JIS 10K 80				4	AISI904L (EN 1.4539)									
C	DN100 PN40				F	JIS 40K 80				6	Titanium Ti-2 (EN 3.7035)									
A	ANSI 3"/150 lbs									8	Duplex (EN 1.4462)									
B	ANSI 3"/300 lbs									K	254 SMO®									
Process connection type, specified for mounting type T																				
Threads					Wetted parts															
Code	Type				Code	Material														
2	1" - NPT				2	AISI316L (EN 1.4404)														
4	1.5" - NPT				3	Hastelloy® C276 (EN 2.4819)														
5	2" - NPT				4	AISI904L (EN 1.4539)														
					6	Titanium Ti-2 (EN 3.7035)														
					8	Duplex (EN 1.4462)														
					K	254 SMO®														
Process connection type, specified for mounting type D																				
Flanges					Flanges					Wetted parts										
Code	Type				Code	Type				Code	Material									
G	DN25 PN40				U	ANSI 2"/150				2	AISI316L (EN 1.4404)									
M	DN40 PN40				V	ANSI 2"/300				3	Hastelloy® C276 (EN 2.4819)									
T	DN50 PN40				K	JIS 10K 25				4	AISI904L (EN 1.4539)									
H	ANSI 1"/150				R	JIS 10K 40				6	Titanium Ti-2 (EN 3.7035)									
J	ANSI 1"/300				S	JIS 10K 40				8	Duplex (EN 1.4462)									
N	ANSI 1.5"/150				X	JIS 10K 50				K	254 SMO®									
P	ANSI 1.5"/300				L	JIS 40K 25														
					Y	JIS 40K 50														
Seals																				
0	PTFE + 20C + 5Gr / FPM (std.)									4	PTFE + 20C + 5Gr / FPM+AISI316 / PTFE 50 % (Hard)									
1	PTFE 100% / FPM									5	PTFE 100% / FPM+AISI316 / PTFE 50% (Hard)									
2	PTFE +20C+5Gr / FFPM									6	PTFE 100% / FPM + PVDF 100% (Hard)									
3	PTFE 100% / FFPM																			
Sensor connection																				
A	PG13,5 / Ø12 / 120 mm																			
Pt100 temperature sensor																				
0	No sensor																			
X	With sensor (Measuring range -50 ... +200°C)																			
Actuator																				
MD	No actuator (manually operated)									AE1	Electric actuator 230 V 50 Hz									
AD	Double-action actuator									AE3	Electric actuator 115 V 60 Hz									
AS	Spring-return actuator									A0	No actuator, fittings to the actuator									
Solenoid for actuator (only for actuator types AD and AS)																				
0	No solenoid valve									2	24 V DC 2.5 W (also EEx dm)				4	28 V DC 0.4 W (EEx ia)				
1	230 V AC 50 Hz 2 W (as standard)									3	115 V AC 60 Hz 2 W									
Solenoid explosion proof																				
0	No explosion proof									2	EEx ia IIC T6 (only 28V)									
1	EEx m II T5									3	EEx dm IIC T5/T6 (only 24V)									
Position switches																				
0	None									A	Position switch EEX ib IIC T5/T6									
X	Equipped with position switches																			
E	Position switch NAMUR, DIN 19234																			
Special options																				
Z1	For oxygen use									Z5	Diamond-coated ball									
Z2	Process side flushing																			
Z3	Actuator (AS) reverse action																			
Documentation																				
Installation and operating instructions										Material certificates										
IE	English									0	No material certificate									
IF	Finnish									MC1	SFS-EN 10204-2.1 (DIN50049-2.1)									
										MC2	SFS-EN 10204-2.2 (DIN50049-2.2)									
										MC3	SFS-EN 10204-3.1B (DIN50049-3.1B)									

Specification example: PASVE DUAL C 2 0 A X AD3 1 E Z5 IEMC1